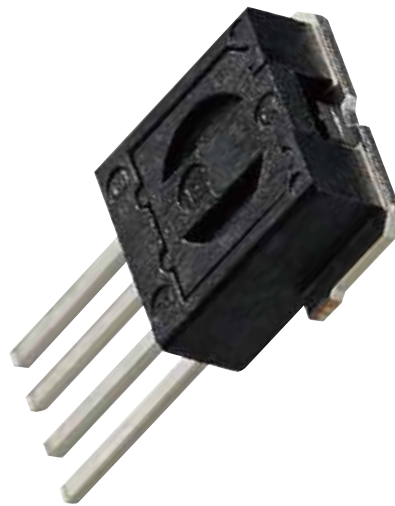


# SPECIFICATIONS

## Laser Diode

### GH1832BA8C



#### Notice

Contents in this technical document be changed without any notice due to the product modification. In the absence of confirmation by device specification sheets, SHARP takes no responsibility for any defects that may occur in wquipment using any SHARP devices shown in catalogs, data books, etc.

LIGHTING BUSINESS UNIT  
ELECTRONIC COMPONENTS AND DEVICES BU  
SHARP CORPORATION

1. These specification sheets include materials protected under copyright of Sharp Corporation ("Sharp"). Please handle with great cares and do not reproduce or cause anyone to reproduce them without Sharp's consent.
2. When using this Sharp product, please observe the absolute maximum ratings, other conditions and instructions for use described in the specification sheets, as well as the precautions mentioned below.  
Sharp assumes no responsibility for any damages resulting from use of the product which does not comply with absolute maximum ratings, other conditions and instructions for use included in the specification sheets, and the precautions mentioned below.

(Precautions)

- (1) In making catalogue or instruction manual based on the specification sheets, please verify the validity of the catalogue or instruction manuals after assembling Sharp products in customer's products at the responsibility of customer.
- (2) This Sharp product is designed for use in the following application areas ;
  - Computers • OA equipment • Telecommunication equipment (Terminal) • Measuring equipment
  - Tooling machines • Audio visual equipment • Home appliancesIf the use of the Sharp product in the above application areas is for equipment listed in paragraphs (3) or (4), please be sure to observe the precautions given in those respective paragraphs.
- (3) Appropriate measures, such as fail-safe design and redundant design considering the safety design of the overall system and equipment, should be taken to ensure reliability and safety when Sharp product is used for equipment in responsibility of customer which demands high reliability and safety in function and precision, such as ;
  - Transportation control and safety equipment (aircraft, train, automobile etc.)
  - Traffic signals • Gas leakage sensor breakers • Rescue and security equipment
  - Other safety equipment
- (4) Sharp product is designed for consumer goods and controlled as consumer goods in production and quality. Please do not use this product for equipment which require extremely high reliability and safety in function and precision, such as ;
  - Space equipment • Telecommunication equipment (for trunk lines)
  - Nuclear power control equipment • Medical equipment
- (5) Please contact and consult with a Sharp sales representative if there are any question regarding interpretation of the above four paragraphs.

3. Disclaimer

The warranty period for Sharp product is one (1) year (or six (6) months in case of generalized product) after shipment. During the period, if there are any products problem, Sharp will repair (if applicable), replace or refund. Except the above, both parties will discuss to cope with the problems.

The failed Sharp product after the above one (1) year (or six (6) month for generalized product) period will be coped with by Sharp, provided that both parties shall discuss and determine on sharing responsibility based on the analysis results thereof subject to the above scope of warranty.

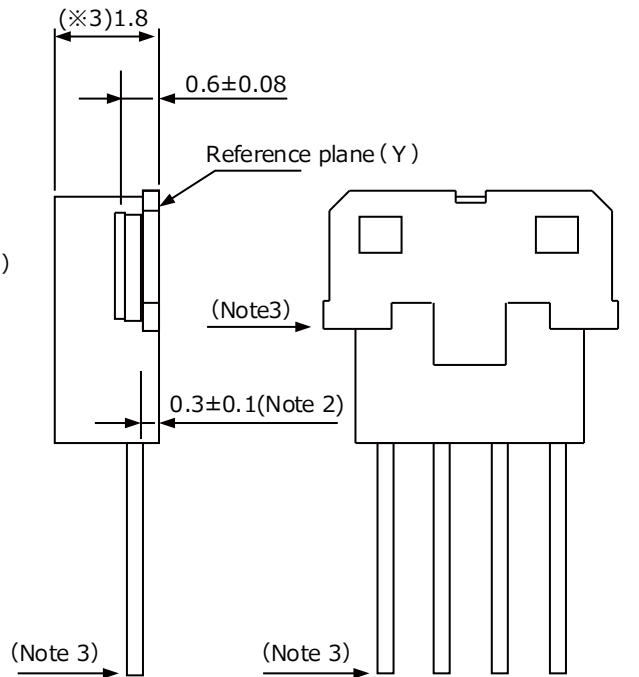
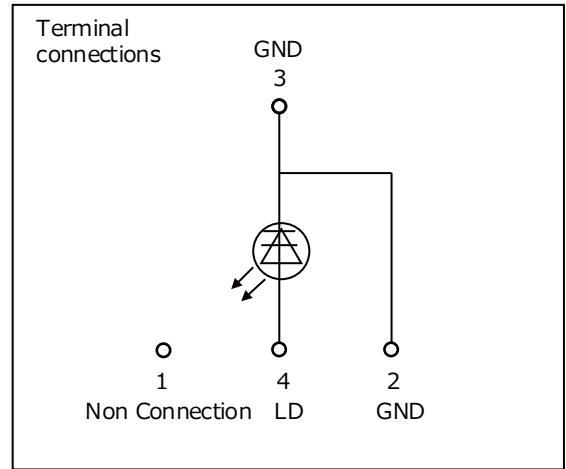
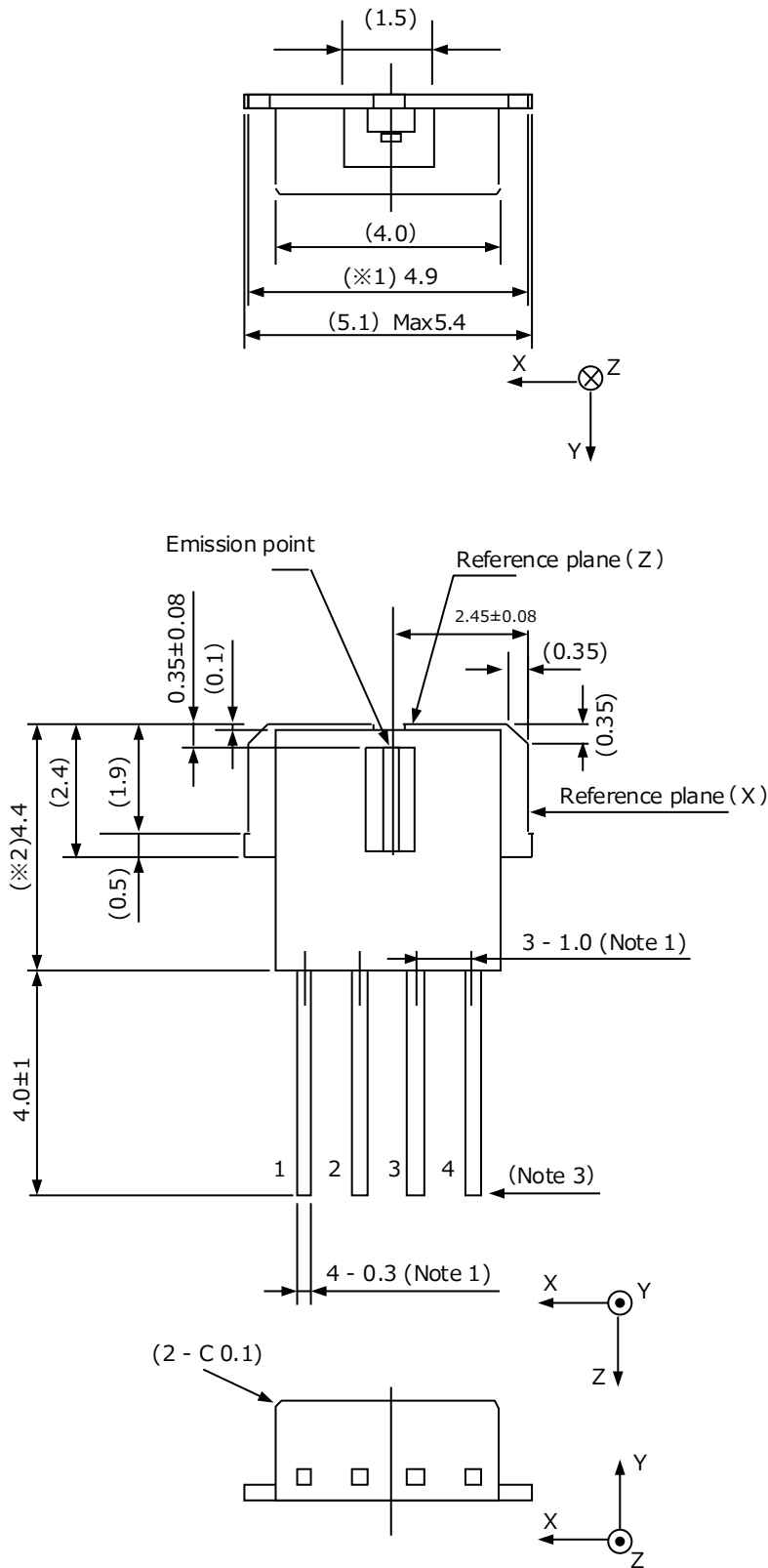
The warranty described herein is only for Sharp product itself which are purchased by or delivered to customer. Damages arising from Sharp product malfunction or failure shall be excepted.

Sharp will not be responsible for the Sharp product due to the malfunction or failures thereof which are caused by:

- (1) storage keep trouble during the inventory in the marketing channel.
- (2) intentional act, negligence or wrong/poor handling.
- (3) equipment which Sharp products are connected to or mounted in.
- (4) disassembling, reforming or changing Sharp products.
- (5) installation problem.
- (6) act of God or other disaster (natural disaster, fire, flood, etc.)
- (7) external factors (abnormal voltage, abnormal electromagnetic wave, fire, etc.)
- (8) special environment (factory, coastal areas, hot spring area, etc.)
- (9) phenomenon which cannot be foreseen based on the practical technologies at the time of shipment.
- (10) the factors not included in the product specification sheet.

4. Please contact and consult with a Sharp sales representative for any questions about Sharp product.

## ■ Outline dimensions and Terminal connections



GENERAL TOLERANCES :  $\pm 0.2$   
 UNIT : mm  
 ( ) : Reference values

- Note 1) Dimension of the bottom of lead pins.
- Note 2)  $0.3 \pm 0.1$ (mm) thickness lead frame board is used.
- Note 3) Cutting section of lead frame is no Ag plating.

## ■ Ratings and Characteristics

### Absolute Maximum Ratings

(Tc=25°C(Note 1))

Parameter		Symbol	最大定格値	単位
Optical power output	CW	P <sub>o</sub>	210	mW
Reverse voltage	Laser diode	V <sub>rl</sub>	2	V
Operating temperature	CW Operation(Note 2)	T <sub>op</sub> (c)	-10 ~ +70	°C
Storage temperature		T <sub>stg</sub>	-40 ~ +85	°C
Soldering temperature (Note 3)		T <sub>sld</sub>	350	°C

(Note 1) T<sub>c</sub> : Case temperature (Frame heat radiation part temperature)

(Note 2) Soldering temperature means soldering iron tip temperature while soldering.

(The Power of soldering iron must be 50W or below.)

Soldering position is 2mm apart from bottom edge of the case.(Immersion time: 5s)

## ■ Electro-optical Characteristics of laser diode (Note 1)

(Tc=25°C(Note 1))

Parameter	Symbol	Conditions	Min.	Typ.	Max.	Unit
Threshold current	I <sub>th</sub>	-	-	35	50	mA
Operating current	I <sub>op</sub>	P <sub>o</sub> = 200mW	-	215	260	mA
Operating voltage	V <sub>op</sub>		-	2.1	2.6	V
Wavelength	λ <sub>p</sub>		820	830	840	nm
Half Intensity Angle(Parallel)(Note 2,3)	θ <sub>∥</sub>		6	9	12	°
Half Intensity Angle(Perpendicular)(Note 2,3)	θ <sub>⊥</sub>		13.5	18.0	22.5	°
Misalignment angle (Parallel) (Note 3)	Δθ <sub>∥</sub>		-3	-	+3	°
Misalignment angle (Perpendicular) (Note 3)	Δθ <sub>⊥</sub>		-5	-	+5	°
Differential efficiency	η <sub>d</sub>		$\frac{180\text{mW}}{I(200\text{mW})-I(20\text{mW})}$	0.8	1.1	1.4
Kink (Note 6)	K-LI	P <sub>1</sub> =42mW, P <sub>2</sub> =126mW P <sub>3</sub> =210mW	-10	-	10	%
Visibility (Note 5)	α	P <sub>o</sub> = 200 mW	-	-	1	-

(Note 1) Initial value, Continuous Wave Operation

(Note 2) Angle of 50% peak intensity (Full angle at half-maximum)

(Note 3) Parallel to the junction plane(X-Z plane)

Perpendicular to the junction plane(Y-Z plane)

(Note 4)  $RI \equiv \Delta P/P$

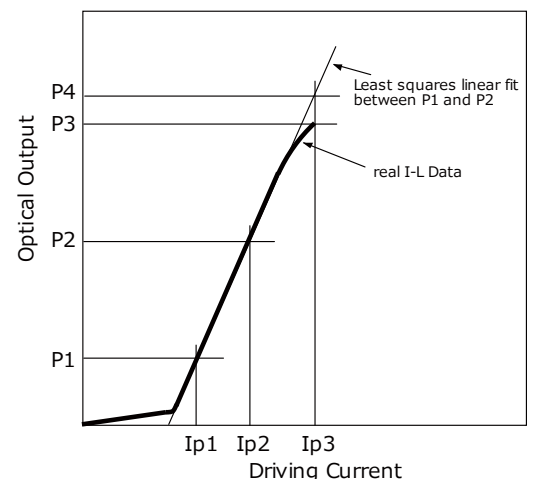
ΔP:the maximum deviation of the far field pattern from its approximate curve

P:the peak of the approximate curve

(Note 5)Visibility is measured by optical spectrum analyzer model No.Q8344A(ADVANTEST Corporation).

(Note 6)Definition of K-LI

$$K-LI = ( P_4 - P_3 ) / P_3$$



# SHARP

<http://www.sharp-world.com/products/device/>

(Notice)

- In the absence of confirmation by device technical sheets. SHARP takes no responsibility for any defects that may occur in equipment using any SHARP devices shown in catalogs, data books, etc. Contact SHARP in order to obtain the latest device technical sheets before using any SHARP device.
- technicals are subject to change without notice for improvement.