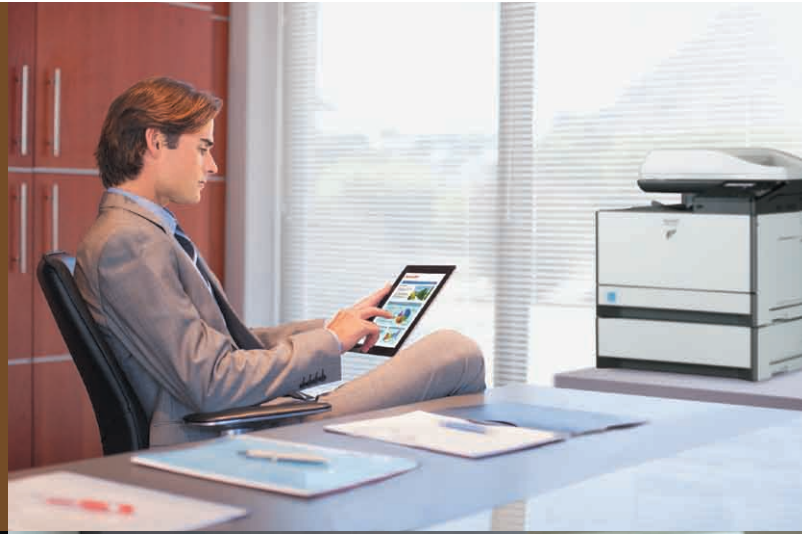


# SHARP

## MX-C300W

Digital Full Colour Multifunctional System

Easy to Place,  
Easy to Access—  
Stylishly Compact Colour  
MFP with Wireless LAN  
Streamlines Your Workflow



COPY

NETWORK PRINT

NETWORK SCAN

SHARPEDESK

FAX

# Easy Wireless Connections Bring Unprecedented Flexibility

Stylishly compact and designed for high performance, the MX-C300W offers built-in wireless LAN connectivity, making it easy to put this colour MFP to work in a variety of settings. The MX-C300W can connect wirelessly to any notebook PC, smartphone, and tablet that has wireless LAN connectivity. This lets users conveniently initiate MFP printing/scanning via their mobile devices from almost anywhere in the workplace and also allows flexible placement of the MFP.

## WIRELESS CAPABILITY



### Built-In Wireless Connections



The MX-C300W offers ultra-handly wireless access via two easy modes: **infrastructure mode** and **access point mode**. These two modes enable the MFP to accommodate various user-environment factors, such as installation location and the type of LAN available.

#### Infrastructure mode



**Infrastructure mode** wirelessly connects the MFP to notebook PCs and other mobile devices via a commercially available wireless LAN router. This ensures convenient access to the MFP even from places where wired LAN is not available.

#### Access point mode



**Access point mode** wirelessly connects a LAN-wired MFP to notebook PCs and other mobile devices without going through a wireless LAN router. The MFP can be accessed via both a wired connection and a wireless connection. Note: External networks cannot be accessed via the MFP. Up to five mobile devices can be wirelessly connected to the MFP at the same time.

### Sharpdesk Mobile\*



Sharpdesk Mobile is a mobile print/scan application that combines the convenience of mobile devices and the efficiency of Sharp MFPs to make conducting business on the go easier than ever. Documents scanned on a Sharp MFP can be sent to a mobile device to preview and save. Documents saved on a mobile device can be printed out on the MFP, sent as e-mail attachments, or used in other applications.

\* Availability varies by country/region. For details, see the Sharpdesk Mobile support website: [http://sharp-world.com/products/copier/docu\\_solutions/mobile/sharpdesk\\_mobile/](http://sharp-world.com/products/copier/docu_solutions/mobile/sharpdesk_mobile/)

## COPYING AND PRINTING



### Efficient Colour and B/W Output



The MX-C300W delivers a fast output of **30 cpm/ppm\*** in full colour and in B/W. And the first copy comes out in just **10 seconds** in B/W and **18 seconds** in full colour to save valuable time when performing multiple short-run jobs. A warm-up time of just **29 seconds** brings added efficiency.

\* A4 (8 1/2" x 11"), short-edge feeding

### Superb Image Quality



Sharp's latest 3rd-generation **Mycrostoner-HG** (High Grade) and a dual-component developer system combine to provide breathtaking image quality. The toner's smaller particle size reduces graininess and enables clear reproduction of fine lines, fine text, and halftone colours.

### Built-In Duplex Module and RSPF



The MX-C300W can make **two-sided copies and printouts** using its built-in stackless duplex module, effectively reducing paper costs as well as saving filing space.

Duplex copying is even more effective when the duplex module is used together with the standard-equipped **50-sheet RSPF** (reversing single pass feeder).



### Direct Printing



The MX-C300W can print PDF, TIFF, and JPEG files without using the printer driver. And there's a USB port beneath the control panel, which comes in handy when printing data directly from USB memory devices—an indispensable function for users who are in a hurry or who want quick machine access without a PC.



### ID Card Copy



The MX-C300W has a dedicated key for easy copying of both sides of a card (ID cards, credit cards, etc.) onto a single page.



### Other Key Features



#### Network Print

- Works with Windows®, Windows Server®, and Mac operating systems
- Supports the latest network protocols including IPv6
- Supports, as standard, PCL6 and PostScript 3

#### Paper Handling

- Total paper capacity of 800 sheets
- Accommodates heavy paper up to 220 g/m<sup>2</sup>

#### Device Management

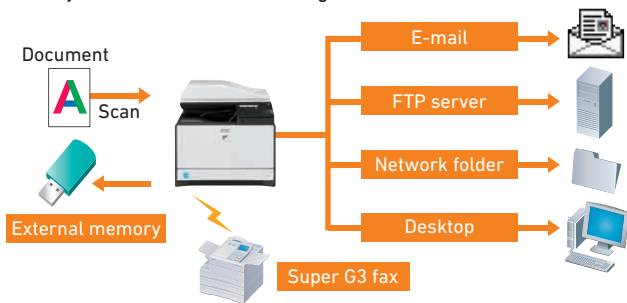
- SRDM (Sharp Remote Device Manager) allows centralised control of networked MFPs

## Full-Colour Network Scanning

The MX-C300W works as a full-colour network scanner and supports TIFF, PDF, and JPEG file formats. Converting any type of paper-based document into an editable digital file is as easy as making a copy.

## Multiple Distribution of Scanned Files

You can choose different ways to distribute your scanned documents: for example, send as an e-mail attachment or scan directly to an FTP server for storage.



## Business Card Scanning

The MX-C300W can easily scan business cards\* with its RSPF and can be used with commercially available business card scan software to create business card databases.



\* One-sided scanning

## LDAP Support

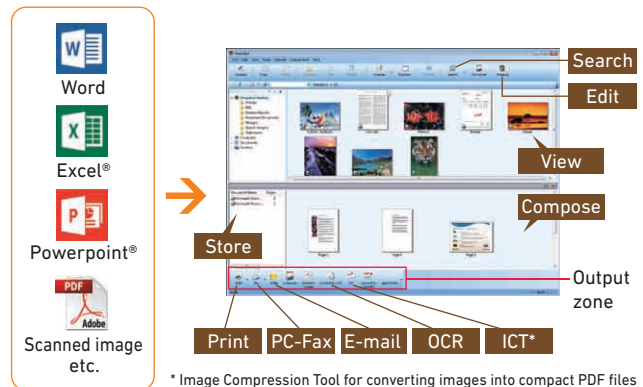
Built-in LDAP (lightweight directory access protocol) support eliminates the need to enter or register full addresses. Entering just the first few letters of a recipient's name prompts the MX-C300W to display a list of possible matches from your company's LDAP server. Selected addresses can be stored to the MX-C300W's address book.

## Scanner Program Keys

Scanner Program Keys on the control panel enable users to register frequently used scan settings and destinations for easy, one-touch recall.

## Sharpdesk

Sharpdesk is an original Sharp application that provides integrated desktop management of documents in over **200 file formats**, including scanned images and documents created with popular applications such as Word. With Sharpdesk, documents can be organised, edited, searched, and distributed with simple drag-and-drop operation. Features include **thumbnail** viewing, **annotation** tools for paper-free proofreading, optical character recognition, the ability to combine different types of files into a single document, and more.



## Speedy Faxing

The MX-C300W also works as a 33.6 Kbps **Super G3 fax** machine capable of high-speed transmission. The RSPF and duplex module enable **duplex transmission/reception**, allowing two-sided documents to be faxed in the proper order and incoming faxes to be printed on both sides of the paper.

## Versatile Fax Functions

- **PC-Fax** lets you send documents created on a PC directly to a recipient's fax machine via a phone line without printing to paper
- **Mixed size original scanning** automatically distinguishes documents of mixed sizes fed through the RSPF
- **Fax destination confirmation** allows users to reconfirm fax numbers before sending to prevent transmission errors
- **Inbound routing** lets you check incoming faxes via a network folder (SMB) before printing them out
- **Speed dial keys** register up to 300 numbers

# OTHER OUTSTANDING FEATURES

## Reliable Security

- **IPsec** (IP security) data encryption technology ensures secure network communications.
- User authentication covering up to 30 users prevents unauthorised MFP use by requiring access passwords.
- Retained data can be initialised when it's time to replace the MFP, preventing the leakage of confidential information.

## Easy-To-Use Control Panel



## SPECIFICATIONS (tentative)

### General

Type	Desktop
Engine speed (colour & B/W)	Max. 30 cpm/ppm
Paper size	Max. A4 (8 1/2" x 14"), min. A6 (5 1/2" x 8 1/2")
Paper capacity (80 g/m <sup>2</sup> )	Standard: 300 sheets (250-sheet tray and 50-sheet multi-bypass tray) Maximum: 800 sheets
Paper weight	Tray: 60 g/m <sup>2</sup> to 105 g/m <sup>2</sup> (16 lbs bond to 28 lbs bond) Multi-bypass tray: 55 g/m <sup>2</sup> to 220 g/m <sup>2</sup> (13 lbs bond to 80 lbs cover)
Warm-up time*1	29 sec.
Memory	Copy/print (shared): 512MB
Power requirements	Rated local AC voltage ±10%, 50/60 Hz
Power consumption (max.)	1.15 kW (220 to 240V), 1.1 kW (100 to 127V)
Dimensions (W x D x H)	429 x 509 x 421 mm (16 57/64" x 20 3/64" x 16 37/64")
Weight (approx.)	29 kg (63.9 lbs)

### Copier

Original paper size	Max. A4 (8 1/2" x 14")
First copy time*2	Full colour: 18 sec.                      B/W: 10 sec.
Continuous copy	Max. 999 copies
Resolution	Scan*3: 600 x 600 dpi, 600 x 400 dpi, 600 x 300 dpi Print: 600 x 600 dpi
Gradation	Equivalent to 256 levels
Zoom range	25% to 400% (25% to 200% using RSPF) in 1% increments
Preset copy ratios	Metric: 8 ratios (4R/4E), inch: 5 ratios (3R/2E)

## SYSTEM CONFIGURATION



## COMPACT TONER CARTRIDGES



### Network Printer

Resolution	600 x 600 dpi
Interface	USB 2.0, 10Base-T/100Base-TX
Supported OS	Windows Server® 2003, Windows Server® 2008, Windows Server® 2012, Windows® XP, Windows Vista®, Windows® 7, Windows® 8, Mac OS X10.4, X10.5, X10.6, X10.7, X10.8
Network protocols	TCP/IP (IPv4, IPv6)
Printing protocols	LPR, Raw TCP (port 9100), IPP, FTP for downloading print files
PDL (emulation)	PCL 6 emulation, PS3 emulation
Available fonts	80 fonts for PCL, 136 fonts for PS3 emulation

### Network Scanner

Scan method	Push scan (via control panel) Pull scan (TWAIN-compliant application)
Resolution	Push scan: 100, 150, 200, 300, 400, 600 dpi Pull scan: 75, 100, 150, 200, 300, 400, 600 dpi 50 to 9,600 dpi via user setting*4
File formats	TIFF, PDF, JPEG*5
Scanner utility	Sharpdesk
Scan destinations	Scan to e-mail/desktop/FTP server/ network folder (SMB)/USB memory

### Facsimile

Compression method	MH/MR/MMR/JBIG
Communication protocol	Super G3/G3
Transmission time	Less than 3 seconds*6
Modem speed	33,600 bps to 2,400 bps with automatic fallback
Transmission resolution	From Standard (203.2 x 97.8 dpi) to Super Fine (203.2 x 391 dpi)
Recording width	A4 to A5 (8 1/2" x 11" to 5 1/2" x 8 1/2")
Memory	8MB
Grey scale levels	Equivalent to 256 levels

\*1: At rated voltage, 23°C (73.4°F). May vary depending on operating conditions and environment.

\*2: Short-edge feeding of A4 (8 1/2" x 11") sheets from 1st paper tray, using document glass, MFP in fully ready condition. May vary depending on operating conditions and environment.

\*3: Default resolution when using document glass = 600 x 400 dpi; when using RSPF = 600 x 300 dpi.

\*4: Resolutions higher than 600 dpi are interpolated.

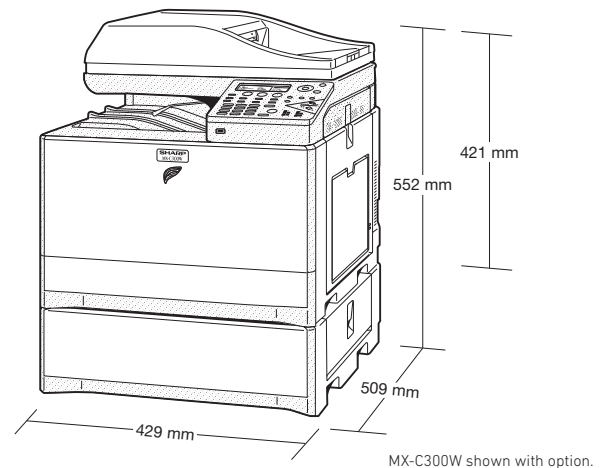
\*5: Colour only.

\*6: Based on Sharp's standard chart with approx. 700 characters (A4 or 8 1/2" x 11" long-edge feeding) at standard resolution in Super G3 mode, 33,600 bps, JBIG compression.

• Design and specifications are subject to change without prior notice.

• Windows, Windows Server, and Windows Vista are registered trademarks of Microsoft Corporation in the US and/or other countries. All other brand names and product names may be trademarks or registered trademarks of their respective owners.

• The ENERGY STAR logo is a certification mark and may only be used to certify products that have been determined to meet the ENERGY STAR programme requirements. ENERGY STAR is a US registered mark. The ENERGY STAR guidelines apply to products only in the US, the EU, Japan, Canada, Australia, New Zealand, and Taiwan.



Distributed by: